



Exchange Program to NUAA (Nanjing University of Aeronautics and Astronautics, China)

**International
student coordinator:
Dr. He Ren (senior lecturer)**

He.ren@rmit.edu.au

99258066

Exchange Program - Introduction

- SAMME-RMIT has an agreement with NUAA (**Nanjing University of Aeronautics and Astronautics, China**) on an Aerospace Engineering students exchange program.
- Each year either RMIT or NUAA select some second year students to be exchanged to the host university for one semester.
- RMIT students will be exchanged to NUAA from the 1st September to the middle of January next year
- Students enrol in their home university (RMIT) and then the credits obtained from the host university (NUAA) will be transferred back to the home university (RMIT)

Cost of the Exchange Program

- Host university will waive the tuition fee for exchange students, but students need home university fee
- Students will be responsible for the living and airfare cost in host university
- The airfare to China, is about 1500AU\$ in return
- the living cost in China is very cheap, AU\$ 3/per day on campus,
- About AU\$10 per day in guest hotel, or much cheaper in private accommodations,
- Total cost includes travel a little in China would be about \$4000AU\$~5000AU\$(accounted by exchanged RMIT students)

Benefits in exchange program

- You will get
 - Technical subjects in English, free access to Labs
 - Hand on true industrial projects
 - Chinese language and Chinese Culture
 - Chinese students friends
 - Travel in China around

Application Procedure

- Fill up application form attached. And Submit to Dr. He Ren (City Building 57 level 3) by June 30
- Selection based on your performance in RMIT
- Waiting for NUAA admission offer
- Apply for Chinese VISA Consulate General in Melbourne of China with EAO-RMIT documents support and NUAA offer
- Book the air ticket to Nanjing, China by 10 of September.
- Provide a letter to centrallink if needed

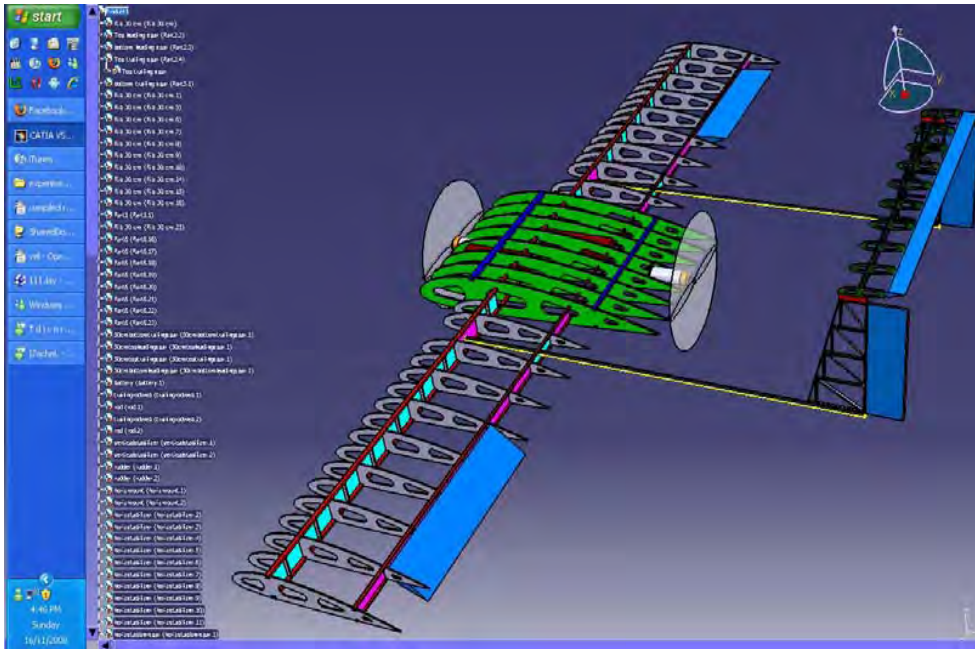
The subjects you will do in NUAA

Courses Number	Course Name	Credits	Contact Hours
0105001	Elementary Chinese	18	96
0105002	Aerodynamics	12	64
0105003	Experimental Aerodynamics	6	32
0105004	Project: Design of Aircraft	7.5	40
0105005	Course: Design of Aircraft	12	64
0105006	Optimization Design of Structures	7.5	40

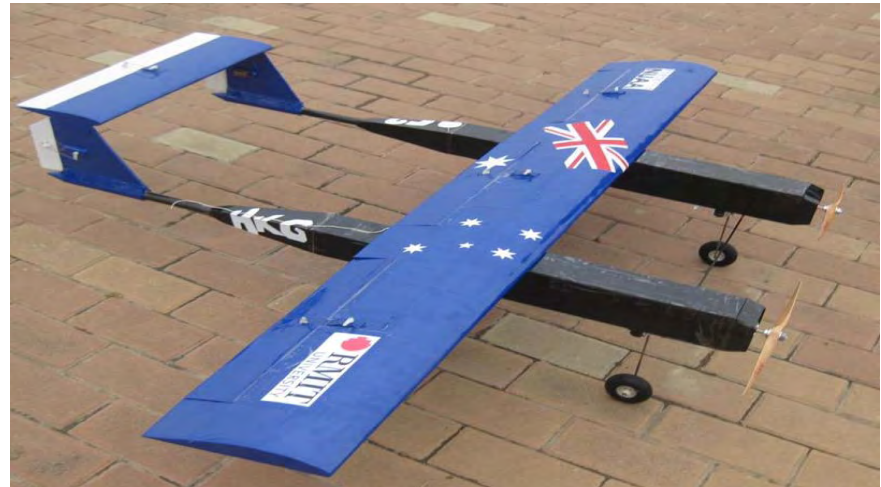
The subjects replacement in RMIT

Subject Catalogue No.	Class No.
EXTL 1155	2821
EXTL1157	3043
EXTL 1159	2823
EXTL 1161	2824

Aircraft designed and built in NUAA



The Projects Finished in NUAA



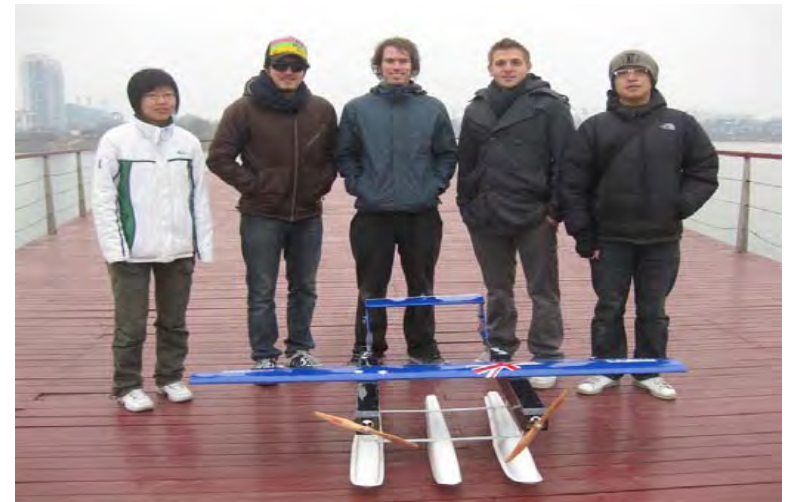
About NUAA

(www.nuaa.edu.cn)

- Nanjing University of Aeronautics and Astronautics was established in October, 1952. It is located in Nanjing, about 250km from Shanghai. Ranked at 38 of 1200 university in China.
- The number of registered students is 24, 600, including 15, 600 undergraduates, 6, 000 postgraduates, 5, 200 part-time students, staff of 2, 900
- NUAA consists of the following colleges: College of Astronautics, College of Aerospace Engineering, College of Energy & Power Engineering, College of Automation Engineering, College of Information Science and Technology, College of Mechanical and Electrical Engineering, College of Material Science and Technology, College of Civil Aviation, College of Flight, College of Science etc
- NUAA offers a wide range of programs including 46 undergraduate programs, 127 master programs **and** 52 doctoral programs

History and Experience

- 2006, RMIT exchanged 4 students to NUAA
- 2007 RMIT exchanged 3 students to NUAA
- 2008 RMIT exchanged 10 students to NUAA
- 2009 RMIT exchanged 10 students to NUAA
- 2010 about 10 will be selected
- All students feel extremely fantastic experience



Reflection from exchanged RMIT students



Timothy Jerry Guirguis (2007)

“You’ll find this to be one of the greatest experiences you’ll have while at university, and I highly suggest that you go. For the time overseas you’ll be both studying and traveling, which I found to be some of the greatest times I’ve ever had. If you go, you’ll find that the only way to really enjoy the trip is to let go and open yourself the culture before you know it .”



Reflection from exchanged RMIT students



- Mitchell (2008) Said:
 - “NUAA has very large and quite green campus and has lots of sporting facilities. The subjects-Project design, experimental aerodynamics and the EPUAV project in NUAA are all really good, **we are learning a lot of things we wouldn't learn in RMIT and we have access to things we wouldn't otherwise get.** For example, I have a project where I am measuring flow speed from a micro supersonic jet using PIV technology. Also in the EPUAV project we learn how to use various computer programs such as CATIA, PATRAN, Profili, AVL and a few others. We also get to use laser cutters and get to use all the materials we need to build the plane. We are finding it very difficult to design and build a UAV from scratch but it is a good challenge and we are learning a lot from it.”

Reflection from exchanged RMIT students

- **Mr.Power**, commented: “Overall I am very glad I came on this trip”. “There are so many things to do and see here with cultural significance and to my surprise there is also natural beauty in the parks”



Reflection from exchanged RMIT students

Veena Venugopal (2009)

- My experience in China is an event I will always remember. China is a country of great culture and values, I feel blessed to have been able to spend time in this country. The people are pleasant and helpful. I had the honor of mingling with some of the friendliest people I have met. This opportunity gave me a chance to explore a whole new world for which I am very thankful.
- Overall my experience is beyond what words can describe. If I had another chance to visit this wonderful country I would do it all over again. I would like to thank RMIT for choosing me to represent the university. I would also like to express my gratitude to NUAA for all their help and assistance

Reflection from exchanged RMIT students



Luke Pranskunas (2009)

- The 2009 – 2010 NUAA China exchange was simply an amazing experience, both culturally and academically
- I highly recommend future students to engage in this exchange program. It offered a high class of academic facilities and staff as well as a structured lecturing environment.
- **China has left a lasting impression on me and I hope to return very soon to this amazing country. To sum up the exchange program.....simply amazing**

2009 group leader

Stratos Patsikatheodorou



- Having now completed my exchange overseas in China at NUAA, I really believe that it was the right decision I made. Going for this opportunity that our school provides, I knew it was going to be different and give me the opportunity to work on projects that I would not otherwise have the chance to while at RMIT. I believe those that went along on this opportunity will all be better engineers for this. The host institution, NUAA, has a large amount of equipment and knowledge which they shared with us. We had a chance to play with their wind tunnels for some experimental research and use their labs to build our electric powered aircraft. It was something truly different from our experience at RMIT
- **overall, a wonderful and well-worth it experience**

NUAA Campus



Student lab works in NUAA



Learning and Social Activities



Program on Newspaper

10 Aerospace Students Gain Access to ARJ21

-(RMIT Openline)



In October, a group of 10 RMIT Aerospace students, led by Dr. He Ren from the School of Aerospace, Mechanical and Manufacturing Engineering (SAMME), visited the new Chinese-developed Advanced Regional Jet (ARJ21) passenger aircraft at the Commercial Aircraft Corporation of China factory in Shanghai.

Program on Newspaper cont.

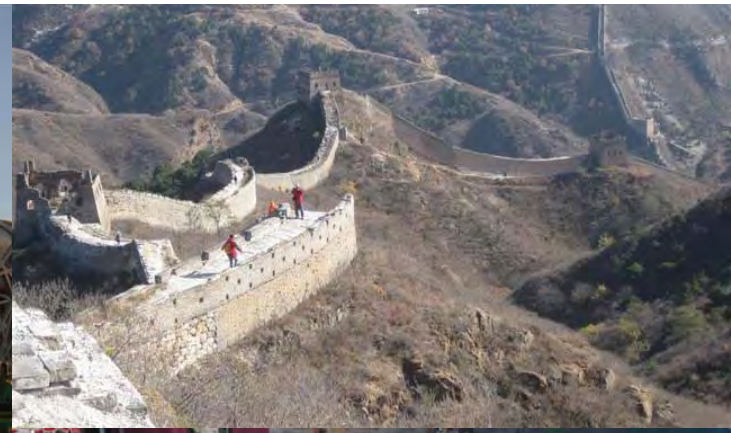
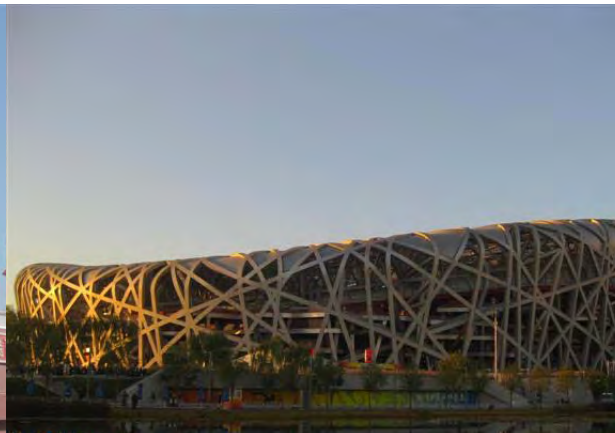
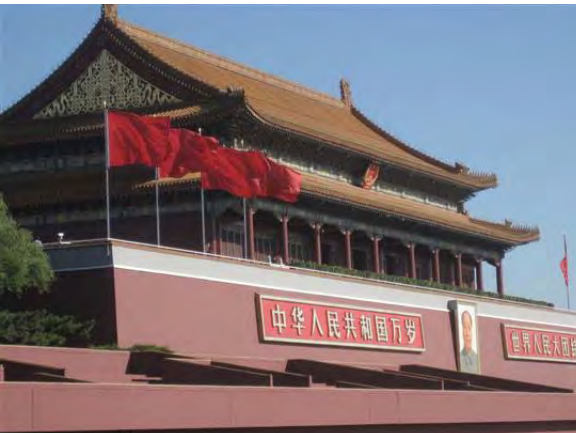
10 Aerospace Students Gain Access to ARJ21 -(RMIT Openline)



“This really gave us insight on how a real modern aircraft is developed, and an extremely precious experience ...” says Timothy Yun Lam Kam, one of the RMIT students in the delegation.

Touring in China

- Travel round China and PARTY!







Questions?

Any question,
Please refer to:

Dr. He Ren

He.ren@rmit.edu.au

99258066

